

CIMAN



Peeler Washer LE1230

SOMMIER

Continuous or cycle operation

- Power supply
- 400V three phase.
- Power 11KW.
- Variable speed drive with selector (scaling/draining)
- Adjustment of the output damper by crank handle

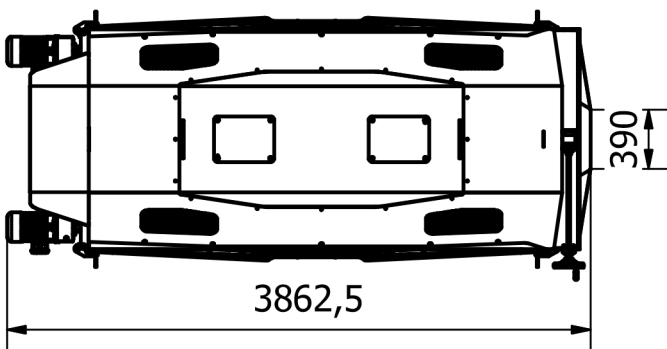
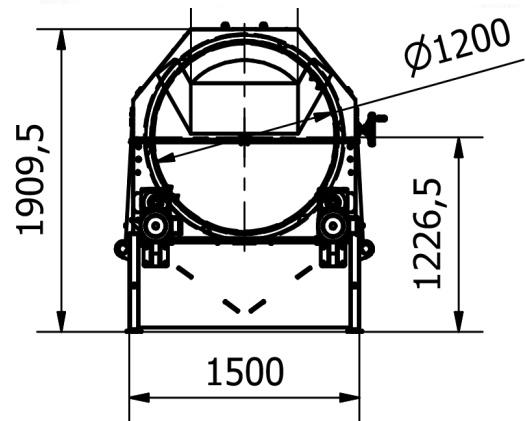
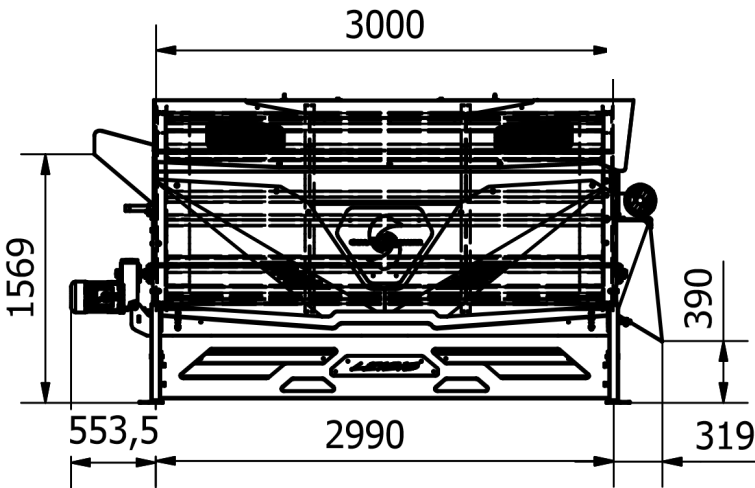
Batch operation

- Useful capacity: 1,16 m³
(800 kg of fresh unpeeled nuts)
- Shelling time: 15 to 25 min.

Continuous operation

- Behind a washer
- Up to 5t/h

Option: motorised outlet register



Dimensions :
- Width: 1.55m.
- Longueur : 3,9m
- Height: 1.9m



Sarl CIMAN - 19240 ALLASSAC - Phone 33 (0)5 55 22 64 49
www.sommier.biz - Email : info@sommier.biz